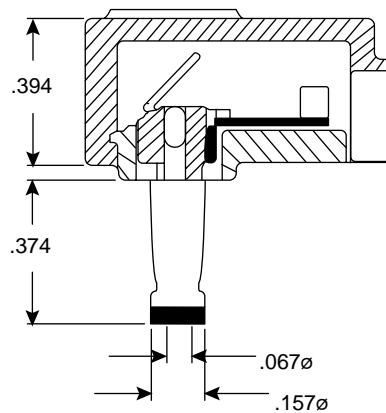
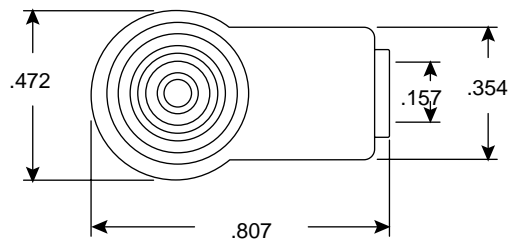


Dimensions (In.)



Specifications:

- Rated Current: DC 2A @ each voltage section
- Terminals: solder
- Color: black